

WHAT'S YOUR **SHAPE?**





FLOWERPOTS

OTIUM AMPHORA 45	-	10
OTIUM AMPHORA 75	-	12
OTIUM QUADRIS 40	-	14
OTIUM QUADRIS LONG 40	-	16
OTIUM QUADRIS 60	-	18
OTIUM OLLA 40	-	20
OTIUM OLLA 70	-	22
OTIUM OLLA 100	-	24
OTIUM OLLA 135	-	26
OTIUM CYLINDRUS FP	-	28
OTIUM BASSO FP	-	30
OTIUM MURUS 27	-	32
OTIUM MURUS 90	-	34

HOW IT WORKS	-	36
---------------------	---	----

FURNITURE

OTIUM CUBUS	-	40
OTIUM CUBUS LED	-	42
OTIUM CYLINDRUS	-	44
OTIUM BASSO	-	46
OTIUM ALEX	-	48





WHAT'S YOUR **SHAPE?** ○ □ ▽

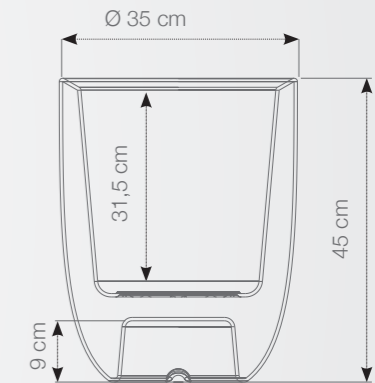


2015 – 2016
COLLECTION **FLOWERPOTS**

OTIUM AMPHORA 45



TECHNICAL DATA :



COLORS:

The Otium Amphora 45 is the smaller brother of the Otium Amphora 75. Both flowerpots look perfectly next to each other. Outdoor and indoor use are possible. It's basic shape, provided with smooth curves make the Amphora 45 the perfect addition to the Otium Family.



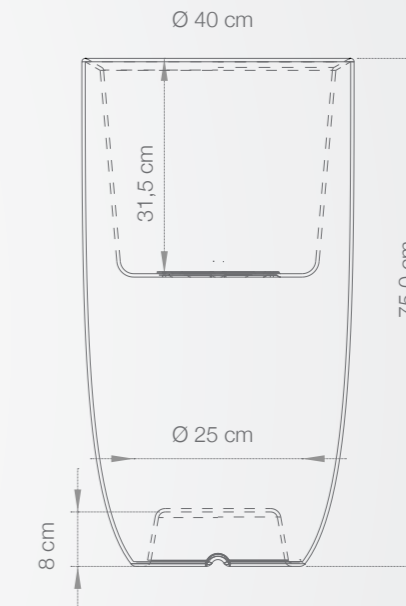
OTIUM AMPHORA 45 is high quality double walled polyethylene planter. Otium drainage system makes sure there is adequate drainage for the plants. When planting inside the drainage system can be closed by using the supplied screw cap with rubber seal.

DIAMETER: 35 cm
HEIGHT: 45 cm

MATERIAL COMPOUND POLYETHYLENE:
Prolonged UV resistant
Frost resistant
Maintain its strength at high temperatures

DOUBLE WALL:
Insulation from frost
Protection for heat (roots can not burn)
Nice finish of the product

OTIUM AMPHORA 75



TECHNICAL DATA :

COLORS:

The Otium Amphora 75 is the bigger brother of the Otium Amphora 45. Both flowerpots look perfectly next to each other. Outdoor and indoor use are possible. It's basic shape, provided with smooth curves make the Amphora 75 the perfect addition to the Otium Family.



OTIUM AMPHORA 75 is high quality double walled polyethylene planter. Otium drainage system makes sure there is adequate drainage for the plants. When planting inside the drainage system can be closed by using the supplied screw cap with rubber seal.

DIAMETER: 40 cm
HEIGHT: 75 cm

MATERIAL COMPOUND POLYETHYLENE:

Prolonged UV resistant
Frost resistant
Maintain its strength at high temperatures

DOUBLE WALL:

Insulation from frost
Protection for heat (roots can not burn)
Nice finish of the product



The **OTIUM QUADRIS 40** is a high quality double walled polyethylene planter. Otium drainage system makes sure there is adequate drainage for the plants. When planting inside, the drainage system can be closed by using the supplied screw cap with rubber seal.

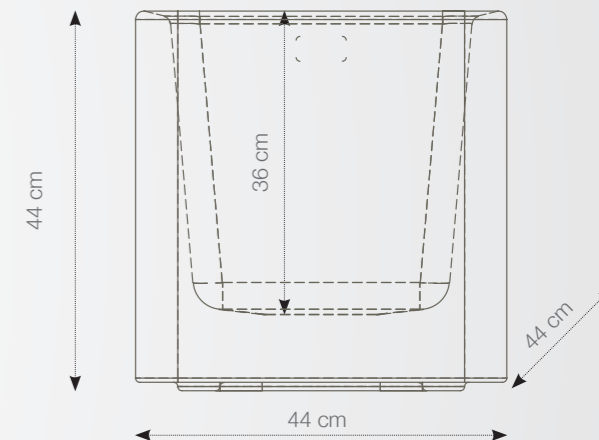
DIMENSIONS SQUARE: 44 cm x 44cm
HEIGHT: 44 cm

DOUBLE WALLED:
 Insulation from frost
 Protection for heat (roots can not burn)
 Nice finish of the product

OTIUM **QUADRIS 40**

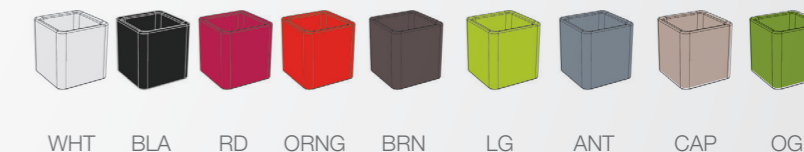


TECHNICAL DATA :



COLORS:

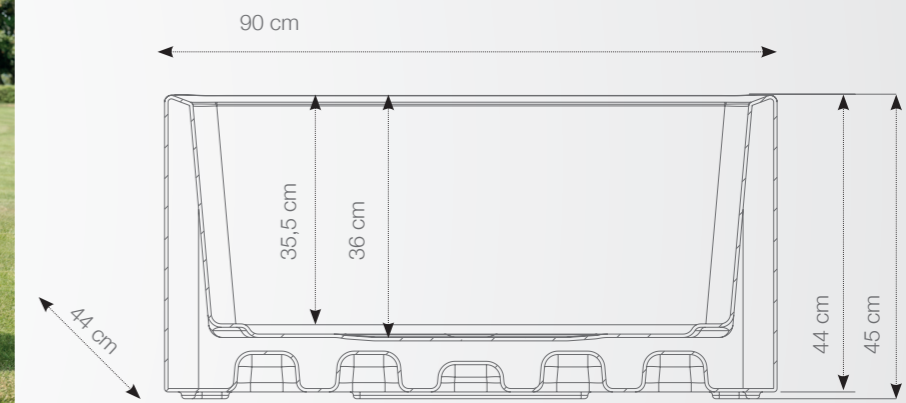
The Otium Quadris 40 is the little brother of the Quadris 60. The ideal flowerpot to fit in every environment, both outdoor and indoor. It's basic shape, provided with smooth curves make the Quadris 40 the perfect addition to the Otium Family.



OTIUM **QUADRIS 40 LONG**

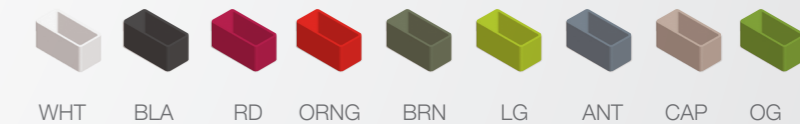


TECHNICAL DATA :



COLORS:

The Otium Quadris 40 long is the longer brother of the Quadris 40. The ideal flowerpot to fit in every environment, both outdoor and indoor. It's basic shape, provided with smooth curves make the Quadris 40 long the perfect addition to the Otium Family.



The **OTIUM QUADRIS 40 LONG** is a high quality double walled polyethylene planter. Otium drainage system makes sure there is adequate drainage for the plants. When planting inside, the drainage system can be closed by using the supplied screw cap with rubber seal.

DIMENSIONS SQUARE: 44 cm x 90 cm
HEIGHT: 44 cm

DOUBLE WALLED:
 Insulation from frost
 Protection for heat (roots can not burn)
 Nice finish of the product



The **OTIUM QUADRIS 60** is a high quality double walled polyethylene planter. Otium drainage system makes sure there is adequate drainage for the plants. When planting inside, the drainage system can be closed by using the supplied screw cap with rubber seal.

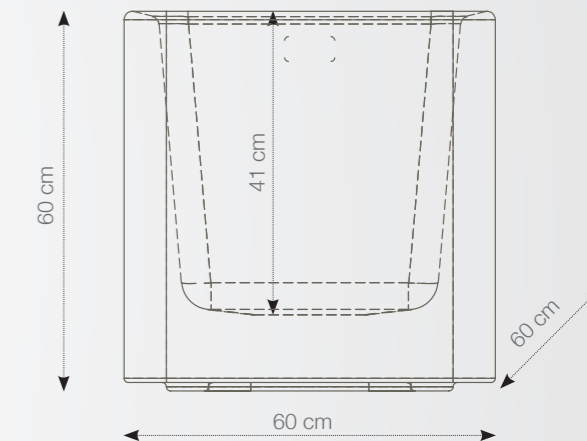
DIMENSIONS SQUARE: 60 cm x 60 cm
HEIGHT: 60 cm

DOUBLE WALLED:
 Insulation from frost
 Protection for heat (roots can not burn)
 Nice finish of the product

OTIUM **QUADRIS 60**



TECHNICAL DATA :



COLORS:

The Otium Quadris 60 is the bigger brother of the Quadris 40. Both flowerpots are the perfect eyecatcher in an indoor or outdoor environment. The Quadris 60 can handle the greater plantsizes due to it's robust structure.

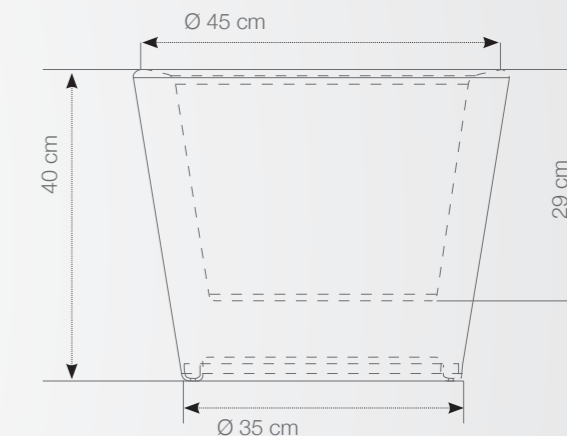


WHT BLA RD ORNG BRN LG ANT CAP OG

OTIUM OLLA 40



TECHNICAL DATA :



COLORS:

The Olla 40 is the smallest among the Otium Olla series, the many colors give you the opportunity for a playful setup.



OTIUM OLLA 40 is high quality double walled polyethylene planter. Otium drainage system makes sure there is adequate drainage for the plants. When planting inside the drainage system can be closed by using the supplied screw cap with rubber seal.

DIAMETER: 50 cm
HEIGHT: 40 cm

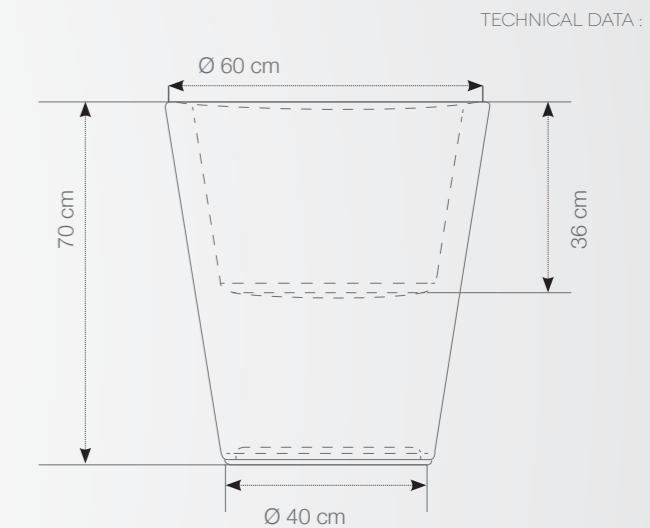
MATERIAL COMPOUND POLYETHYLENE:

Prolonged UV resistant
Frost resistant
Maintain its strength at high temperatures

DOUBLE WALL:

Insulation from frost
Protection for heat (roots can not burn)
Nice finish of the product

OTIUM OLLA 70



COLORS:



Otium Olla 70 has an ideal size for many types of plants.

The **OTIUM OLLA 70** is a double walled polyethylene pot of high quality. Otium drainage system ensures that there is adequate drainage for the plants. When planting in the drainage system can be closed by using the supplied screw cap with rubber seal.

DIAMETER: 64 cm
HEIGHT: 70 cm

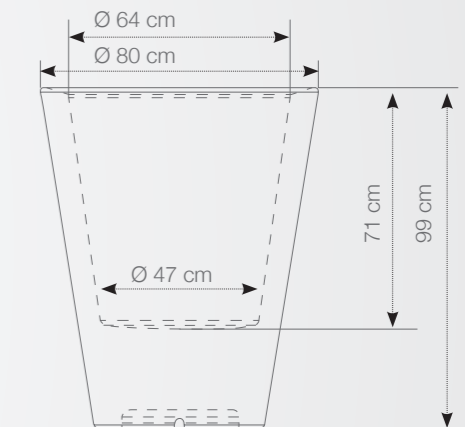
MATERIAL COMPOUND POLYETHYLENE:
Prolonged UV resistant
Frost resistant
Maintain its strength at high temperatures

DOUBLE WALL:
Insulation from frost
Protection for heat (roots can not burn)
Nice finish of the product

OTIUM OLLA100



TECHNICAL DATA :



COLORS:

Otium olla100 is a real eyecatcher! Because of its large size, it is especially suited for heavy planting.

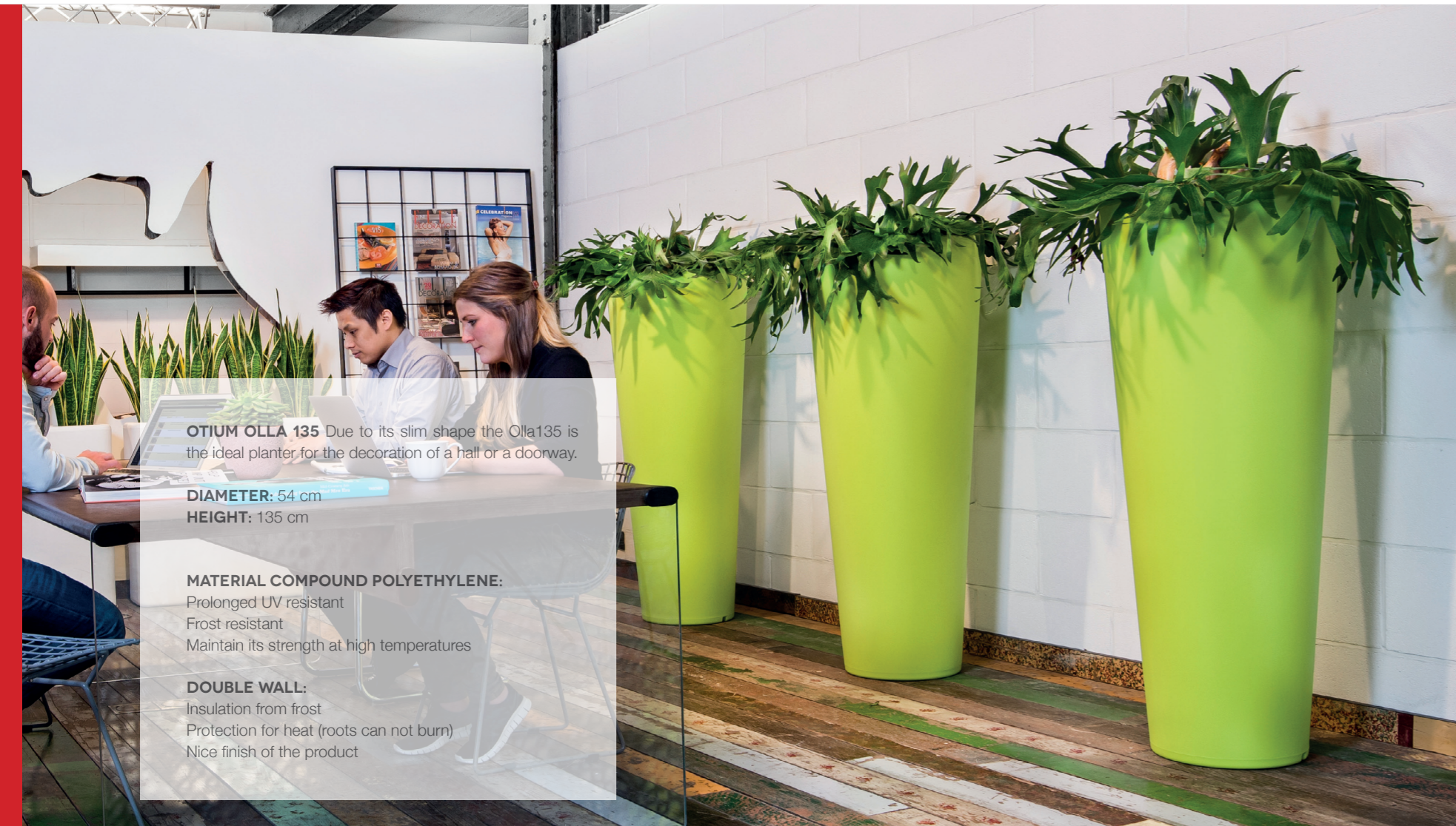


The **OTIUM OLLA 100** is a double walled polyethylene pot of high quality. The Olla100 with his great size and strength ideal for heavy planting. Otium drainage system ensures that there is adequate drainage for the plants. When planting inside the drainage system can be closed by using the supplied screw cap with rubber seal.

OUTSIDE DIAMETER: 80 cm
INSIDE DIAMETER: 64 cm
HEIGHT: 100 cm

MATERIAL COMPOUND POLYETHYLENE:
 Prolonged UV resistant
 Frost resistant
 Maintain its strength at high temperatures

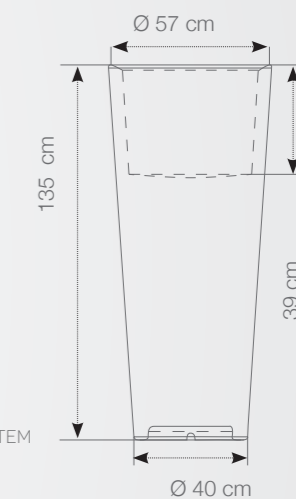
DOUBLE WALL:
 Insulation from frost
 Protection for heat (roots can not burn)
 Nice finish of the product



OTIUM **OLLA 135**



TECHNICAL DATA :



COLORS:

Due to its slim shape Olla135 is the ideal pot for the decoration of a hall or a doorway.



OTIUM OLLA 135 Due to its slim shape the Olla135 is the ideal planter for the decoration of a hall or a doorway.

DIAMETER: 54 cm
HEIGHT: 135 cm

MATERIAL COMPOUND POLYETHYLENE:

Prolonged UV resistant
Frost resistant
Maintain its strength at high temperatures

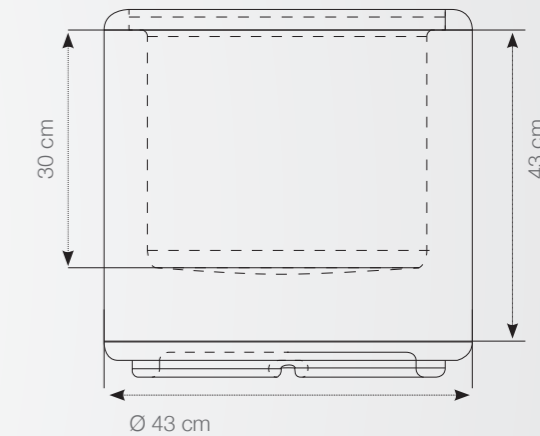
DOUBLE WALL:

Insulation from frost
Protection for heat (roots can not burn)
Nice finish of the product

OTIUM CYLINDRUS FP



TECHNICAL DATA :



COLORS:

The Cylindrus FP is a very simple cylindrical pot. Due to its simplicity, it fits into almost any environment.



WHT BLA RD ORNG BRN LG ANT CAP OG

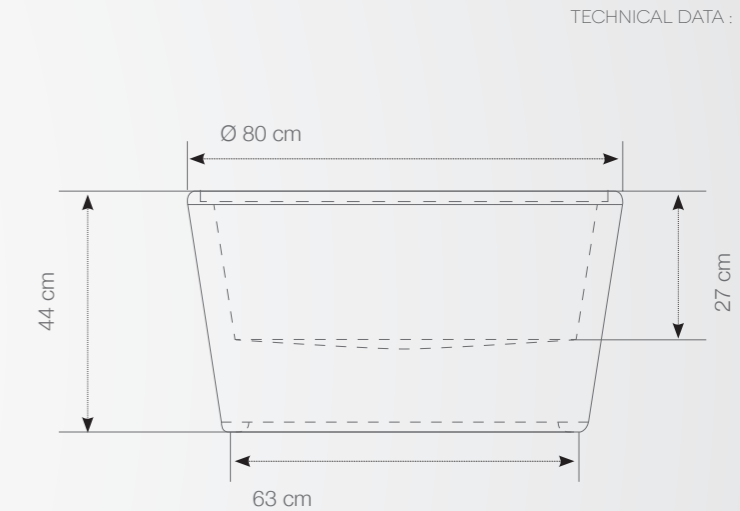
The **CYLINDRUS FP** is a double walled flowerpot with a drainage system. With its sober design fits into almost any environment. Because Cylindrus with a seating cushion and without as flowerpot, very nice combinations can be made.

DIAMETER: 43 cm
HEIGHT: 43 cm

MATERIAL COMPOUND POLYETHYLENE:
Prolonged UV resistant
Frost resistant
Maintain its strength at high temperature

DOUBLE WALL:
Insulation from frost
Protection for heat (roots can not burn)
Nice finish of the product

OTIUM **BASSO FP**



COLORS:

The Otium Basso FP are numerous possibilities in terms of planting both high and low vegetation.



The **OTIUM BASSO FP** is high quality double walled polyethylene planter. Otium drainage system makes sure there is adequate drainage for the plants. When planting inside the drainage system can be closed by using the supplied screw cap with rubber seal.

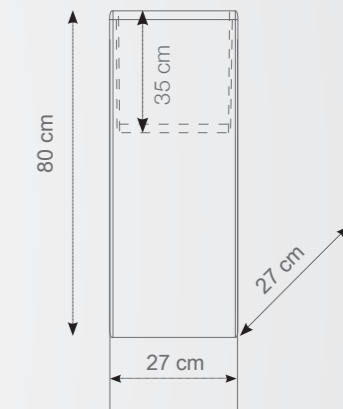
TOP DIAMETER: 80 cm
DIAMETER BOTTOM: 63 cm

DOUBLE WALLED:
Insulation from frost
Protection for heat (roots can not burn)
Nice finish of the product

OTIUM **MURUS 27**

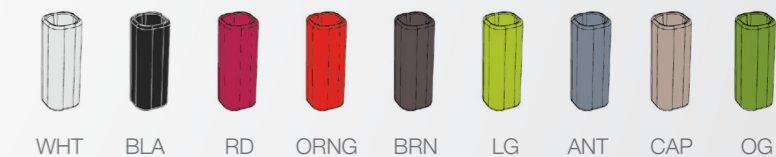


TECHNICAL DATA :



COLORS:

The Otium murus is ideal for creating more privacy in your garden or seating area. Additionally this **Murus 27** can be used in combination with the Murus 90. The Murus 27 acts as a connection corner in a Murus set-up as well as an eyecatcher on it's own.



The **OTIUM MURUS** is high quality double walled polyethylene planter. Otium drainage system makes sure there is adequate drainage for the plants. When planting inside the drainage system can be closed by using the supplied screw cap with rubber seal.

The Murus bottom has an opening for extra weight in order to stabilize the pot. With the supplied screw you shut the back opening. We recommend to use sand or gravel as material for extra weight.

WIDTH: 27 X 27 cm
HEIGHT: 80 cm

MATERIAL COMPOUND POLYETHYLENE:

Prolonged UV resistant
Frost resistant
Maintain its strength at high temperatures

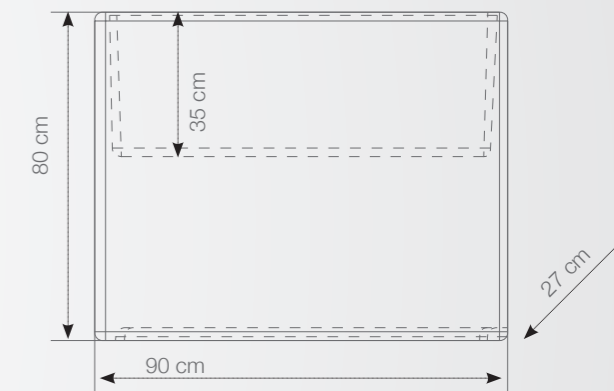
DOUBLE:

Insulation from frost
Protection for heat (roots can not burn)
Nice finish of the product

OTIUM **MURUS 90**

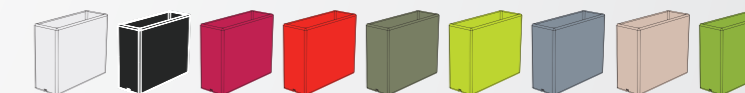


TECHNICAL DATA :



COLORS:

The Otium murus is ideal for creating more privacy in your garden or seating area. Perfect for combining with the Murus 27 to design a varying separation module both outdoor and indoor.



WHT BLA RD ORNG BRN LG ANT CAP OG

The **OTIUM MURUS** is high quality double walled polyethylene planter. Otium drainage system makes sure there is adequate drainage for the plants. When planting inside the drainage system can be closed by using the supplied screw cap with rubber seal.

The Murus bottom has an opening for extra weight in order to stabilize the pot. With the supplied screw you shut the back opening. We recommend to use sand or gravel as material for extra weight.

WIDTH: 90 X 27 cm

HEIGHT: 80 cm

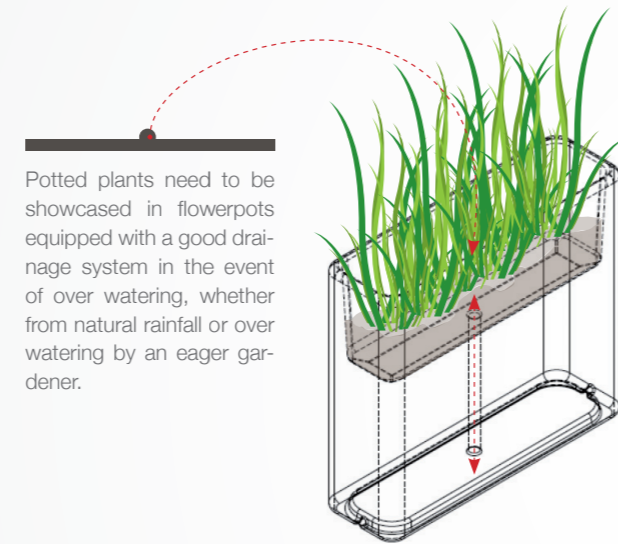
MATERIAL COMPOUND POLYETHYLENE:

Prolonged UV resistant
Frost resistant
Maintain its strength at high temperatures

DOUBLE:

Insulation from frost
Protection for heat (roots can not burn)
Nice finish of the product

DRAINAGE SYSTEM (PROVIDED IN ALL OTIUM POTS):

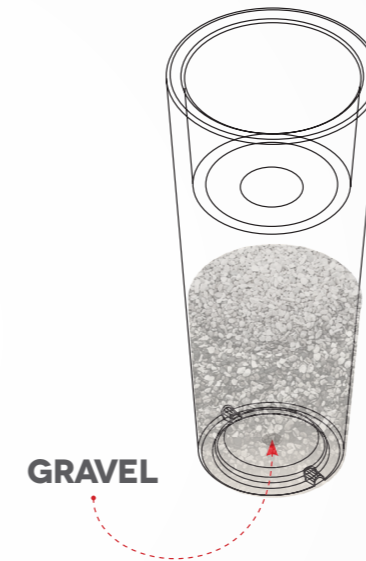


Potted plants need to be showcased in flowerpots equipped with a good drainage system in the event of over watering, whether from natural rainfall or over watering by an eager gardener.



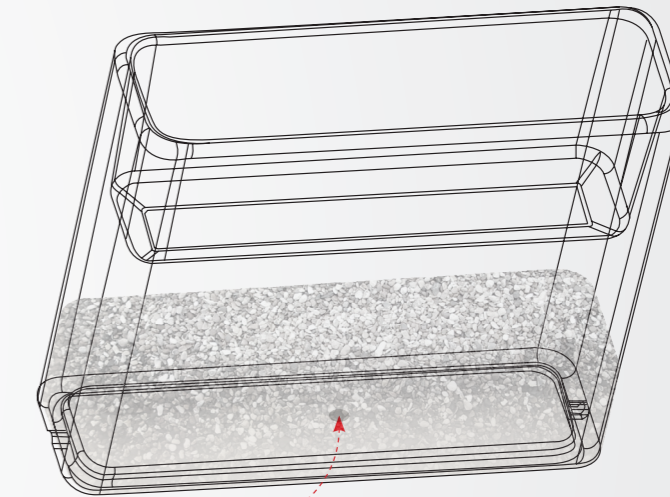
Unless excess water can filter through the soil and drain away from the roots of your potted plants, the roots may develop root rot if they are exposed to standing water for an extended period of time. Root rot will eventually cause your potted plant to wither and die since it will rob the plant of the ability to draw moisture and nutrients from the soil.

EXTRA WEIGHT SYSTEM (ONLY FOR OLLA135 AND MURUS 27 & 90)



GRAVEL

Otium Olla135 and Murus (27&90) are provided with an extra weight system. The system is simply a closable opening. Through the free space between the two walls there is enough space to pour sand or gravel in the pot.



GRAVEL

If enough weight is inserted, the pot will have extra stability and will not fall over in strong winds.

WHAT'S YOUR **SHAPE?** ○ □ ▽

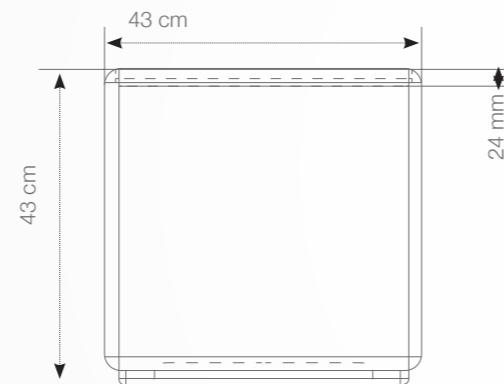


2015 – 2016
COLLECTION **FURNITURE**

OTIUM CUBUS



TECHNICAL DATA :



COLORS & FINISHING :

With the wide choice of colors and finishes you can make a lot of possible combinations.



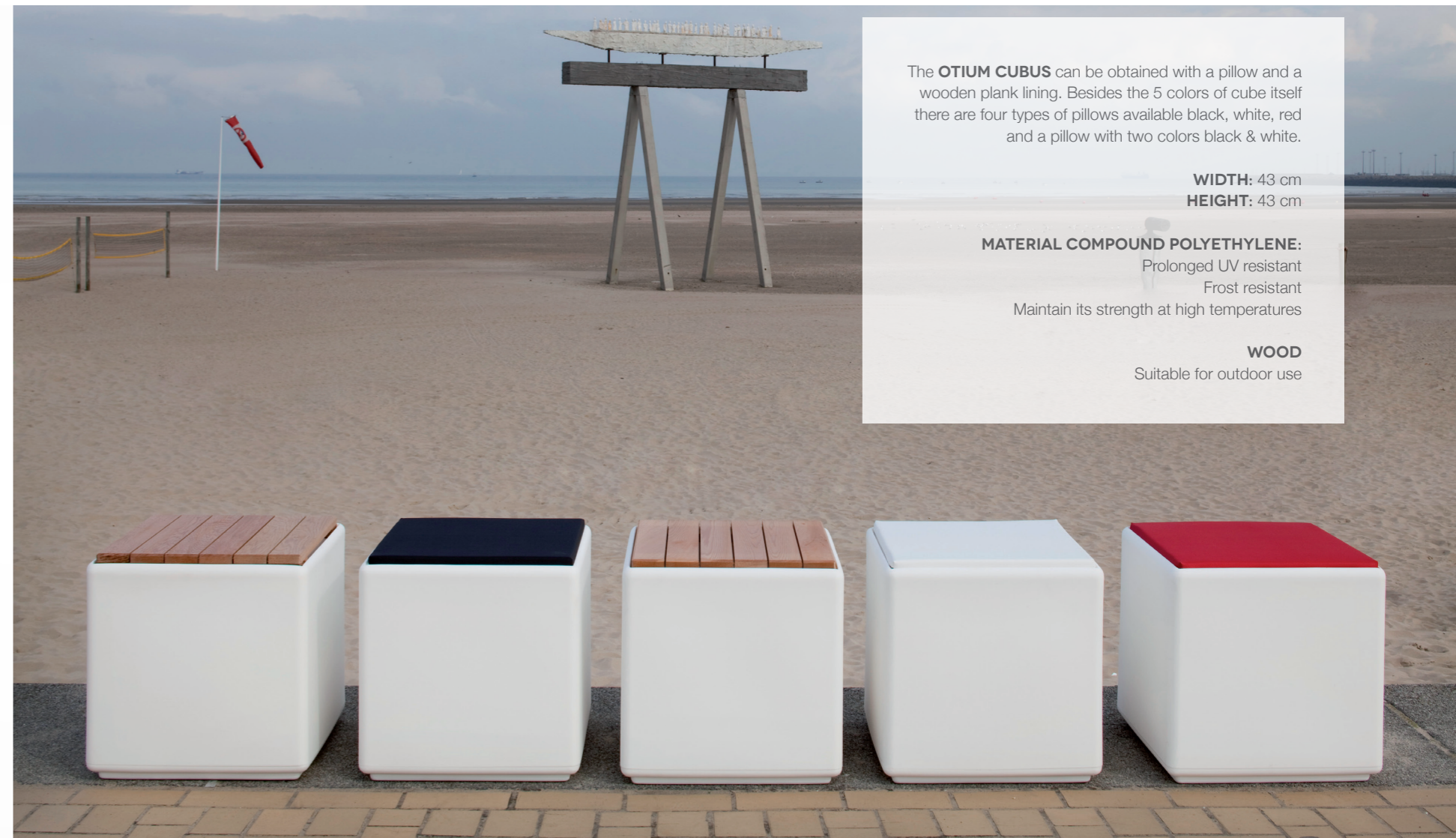
WHAT'S YOUR SHAPE? ○ □ ▽

The **OTIUM CUBUS** can be obtained with a pillow and a wooden plank lining. Besides the 5 colors of cube itself there are four types of pillows available black, white, red and a pillow with two colors black & white.

WIDTH: 43 cm
HEIGHT: 43 cm

MATERIAL COMPOUND POLYETHYLENE:
Prolonged UV resistant
Frost resistant
Maintain its strength at high temperatures

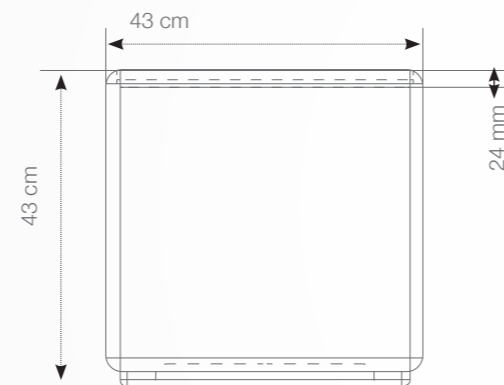
WOOD
Suitable for outdoor use



OTIUM CUBUS LED

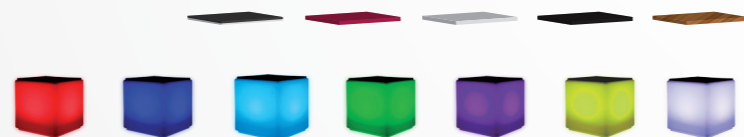


TECHNICAL DATA:



COLORS & FINISHING:

The Otium Cubus LED contains 6 colors that you can easily change with the remote controller.

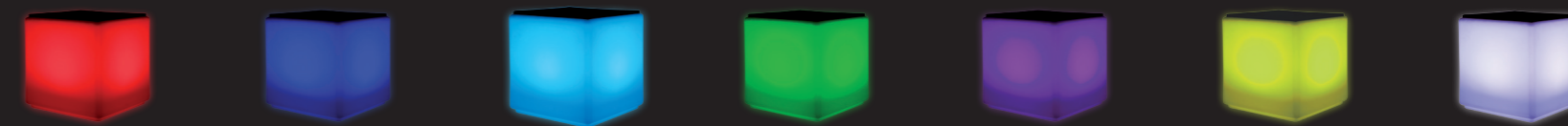
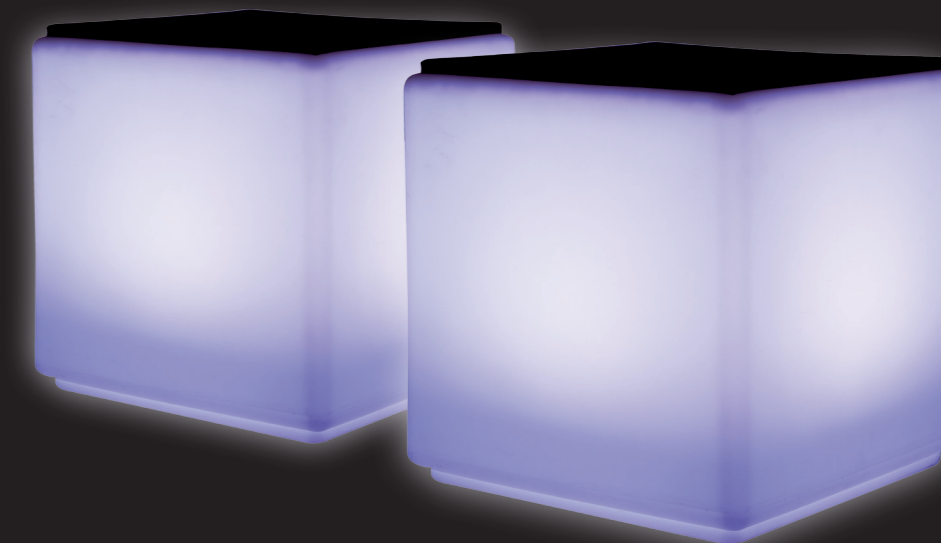


CUBUS LED 6 COLORS RGB

The Otium Cubus LED contains 6 colors you can easily change with the remote controller. Moreover you can have different running programs to set the color to change automatically.

- LIGHT:** RGB LED
- VOLTAGE:** 110v – 240v , DC: 5v
- COLORS:** 16 Color Change
- WATERPROOF:** IP 54
- HAS PASSED:** CE,UL,ROHS

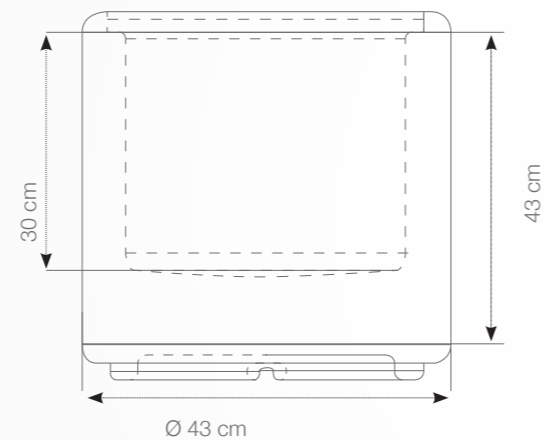
12 hours charge for first use.



OTIUM CYLINDRUS

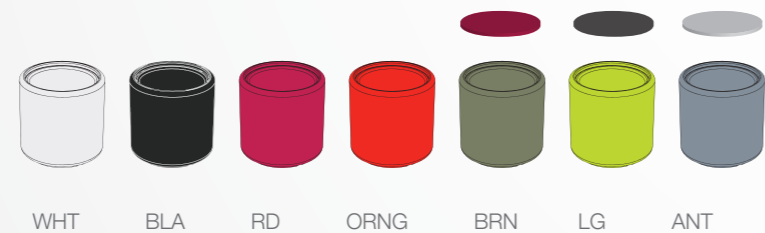


TECHNICAL DATA:



COLORS & FINISHING:

The Otium Cylindrus has addition to its cool looks a very practical side due to the storage space.



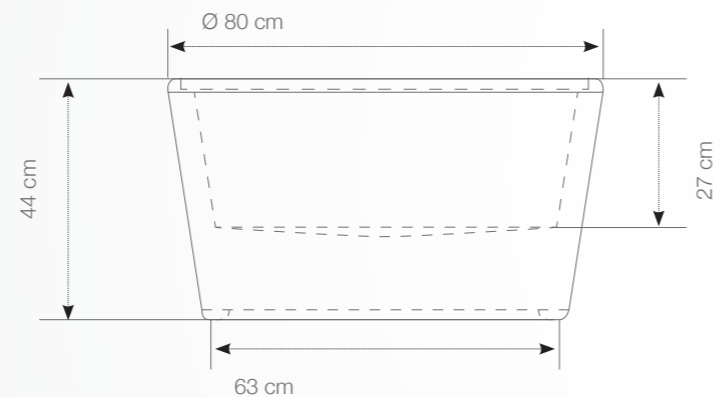
The **OTIUM CYLINDRUS** addition to its cool looks a very practical aspect with its storage space. Furthermore he has 5 basic colors and pillows in three different colors. (many possible combinations)

DIAMETER: 43 cm
HEIGHT: 43 cm

MATERIAL COMPOUND POLYETHYLENE:
Prolonged UV resistant
Frost resistant
Maintain its strength at high temperatures

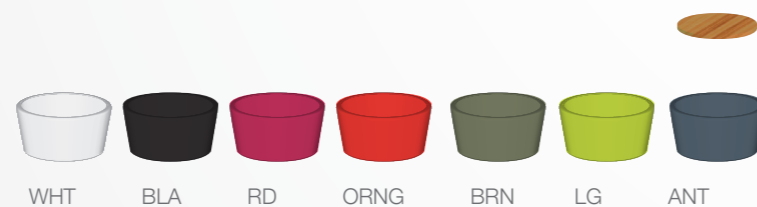
OTIUM BASSO

TECHNICAL DATA:



COLORS & FINISHING:

The Basso is the ideal complement to the Otiium Cubus and Cylindrus.



The **BASSO** is the ideal complement to otium Cubus and Cylindrus. This low table with storage or footstool with storage comes in handy everywhere.

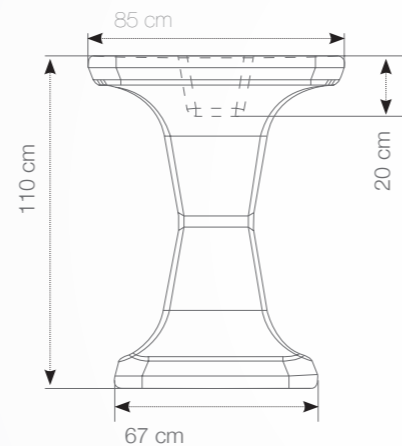
TOP DIAMETER: 80 cm
DIAMETER BOTTOM: 63 cm
HEIGHT: 44 cm
DEPTH OF STORAGE SPACE: 27 cm

MATERIAL COMPOUND POLYETHYLENE:
 Prolonged UV resistant
 Frost resistant
 Maintain its strength at high temperatures

OTIUM **ALEX**



TECHNICAL DATA :



COLORS & FINISHING :

Alex is the partytable with ice reservoir ideal for anyone who loves a party.



WHT BLA



ALEX is the perfect table for those who like to party. There is space in the top of the table to keep your beverages cool. The finishing plexies for the table are available in the following colors white, lime green and orange.

HEIGHT: 110 cm
TABLE TOP: 85 cm

MATERIAL COMPOUND POLYETHYLENE:
Prolonged UV resistant
Frost resistant
Maintain its strength at high temperatures



www.nieuwkoop-europe.com